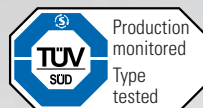


optional
stainless
steel

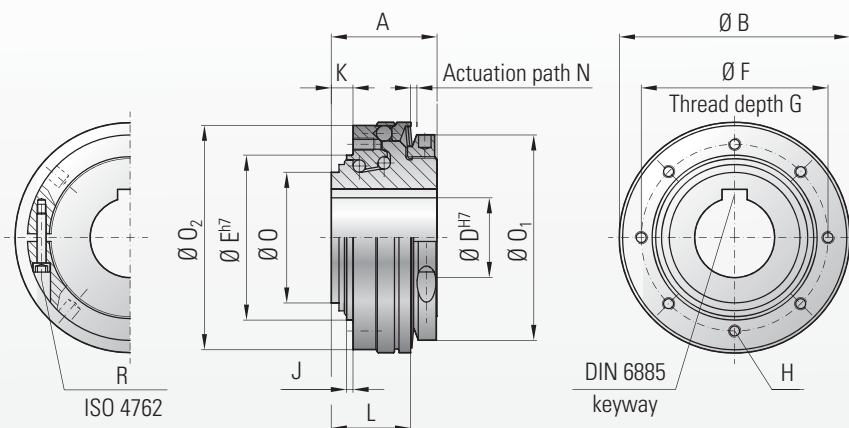
single-position
multi-position
full disengagement



MODEL SLP

BACKLASH FREE TORQUE LIMITER

with pure keyway connection



Design:

Keyway per DIN 6885 or ANSI standard dimensions
Components of compact and rigid design with backlash free interface

Temperature range: -30 to +120°C

Service life:

These couplings are maintenance free and stable over their entire service life if technical limits are not exceeded

Fit tolerance:

Overall clearance between shaft and hub
0.01-0.05 mm

Function system:

W = single position engagement (standard)
D = multi position engagement every 60°
(30, 45, 90° optional)
F = full disengagement on request

Model SLP	Series													
	30			60			150			300				
Adjustment range from - to (Nm)	T _{KN}	10-35	30-80	40-135	30-80	60-120	100-200	40-100	100-200	150-300	200-350	300-450	400-550	550-700
Overall length (mm)	A	30			35			41			48			
Actuation ring diameter (mm)	B	63			74			92			118			
Bore diameter from Ø to Ø H7 (mm)	D	12-25.4 (28)*			16-32 (34)*			19-44 (46)*			22-54 (58)*			
Centering diameter h7 (mm)	E	43			53			68			85			
Bolt-hole circle diameter ± 0.2 (mm)	F	48			60			75			95			
Thread depth +1 (mm)	G	5			6			7			9			
Fastening threads	H	8x M4			8x M4			8x M5			8x M6			
Centering length -0.2 (mm)	J	2			2			3			3			
Distance (mm)	K	6			7			9			9			
Distance to actuation ring edge (mm)	L	23			26			32			36			
Actuation path (mm)	N	1.3			1.5			1.8			2			
Base element Ø (mm)	O	35			42			54			70			
Adjustment nut Ø (mm)	O ₁	55			66			82			100			
Flange Ø -0.2 (mm)	O ₂	58			72			87			110			
Adjustment nut's clamp screw ISO 4762	R	M3			M3			M3			M4			
Tightening torque (Nm)		2			2			2			4.5			
Approx. weight (kg)		0.2			0.35			0.7			1.1			
Approx. moment of inertia at D max. (10 ⁻³ kgm ²)	J _{ges}	0.1			0.4			1.1			2.3			

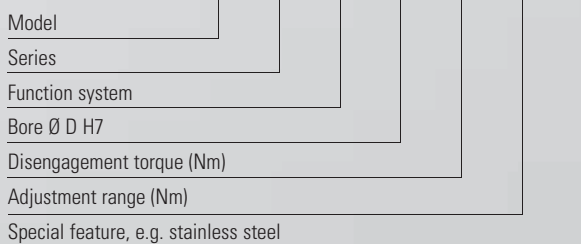
* max. possible bore diameter if (shallow) keyway per DIN 6883/3 is used

(1Nm = 8.85 in lbs)

Ordering specifications

SLN/060 / W / 30 / 80 / 60-120/XX

SLP / 060 / W / 30 / 80 / 60-120/XX



All data is subject to change without notice.

