

PROPERTIES

FEATURES

- ▶ for high temperatures and aggressive media
- ▶ compact design
- ▶ welded version

MATERIAL

- ▶ **Bellows:** high grade stainless steel
- ▶ **Hubs:** high grade stainless steel

- ▶ **Screws:** Grade 12.9 Geomet coated (alternate materials on request)

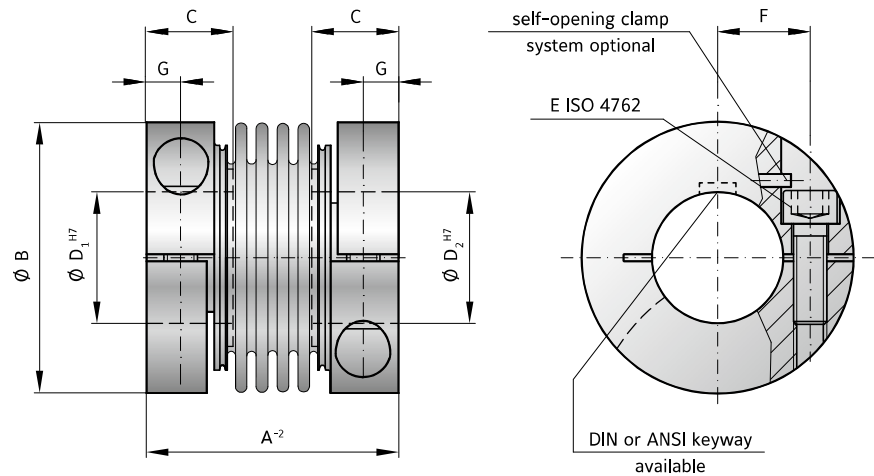
DESIGN

Two clamping hubs concentrically mounted to flexible bellows. Brief overloads of up to 1.5x the rated torque are acceptable. From -40° to +300°C operating temperature.



Optional:

self-opening clamp system to open the bore during installation and removal by backing out the clamping screw.



MODEL BKS

SIZE			15	30	60	150	300	500
Rated torque	(Nm)	T_{KN}	15	30	60	150	300	500
Overall length	(mm)	A^{-2}	45	52	66	76	89	95
Outside diameter	(mm)	B	49	56	66	82	110	123
Fit length	(mm)	C	17	20	24	30	34	35
Inside diameter* possible from \emptyset to \emptyset H7	(mm)	D_1/D_2	12-28	14-32	16-35	19-42	24-60	32-75
Fastening screw ISO 4762			M5	M6	M8	M10	M12	M12
Tightening torque of the fastening screw	(Nm)	E	8	15	40	75	120	125
Distance between centerlines	(mm)	F	17.5	20	23	27	39	45
Distance	(mm)	G	6	7.5	9.5	11	13	13
Moment of inertia	(10^{-9} kgm ²)	$J_{ges.}$	0.1	0.2	0.53	1.5	5.5	8.1
Approximate weight	(kg)		0.27	0.42	0.78	1.5	2.9	3.5
Torsional stiffness	(10^3 Nm/rad)	C_T	23	31	72	141	157	290
Axial	\pm (mm)	Max. values	1	1	1.5	2	2	2.5
Lateral	\pm (mm)		0.2	0.2	0.2	0.2	0.2	0.2
Angular	\pm (degree)		1	1	1	1	1	1
Axial spring stiffness	(N/mm)	C_a	30	50	67	77	112	72
Lateral spring stiffness	(N/mm)	C_r	315	366	679	960	2940	2200
Speed max. with $G = 2.5$ balancing	(min ⁻¹)		60,000	50,500	50,000	40,500	40,000	30,000

* Smaller bore diameter available at reduced torque capacity

ORDERING EXAMPLE	BKS	15	20	19.05	XX
Model	●				
Size		●			
Bore D1 H7			●		
Bore D2 H7				●	
Special designation only (e.g. special bore tolerance).					
For custom features place an XX at the end of the part number and describe the special requirements (e.g. BKS / 15 / 20 / 19.05 / XX; XX=finely balanced for 25,000 rpm)					